

# Product data sheet

Specifications

SQUARE D

Green Premium™



## Circuit breaker, PowerPacT M, 400A, 3 pole, 600VAC, 18kA, I-Line, ET 1.0, 80%, ABC

MGA36400

Product availability : Stock - Normally stocked in distribution facility

**Price\* : 8,168.00 USD**

### Main

Range	PowerPact
Product name	PowerPact M
Product or Component Type	Circuit breaker
Device Application	Distribution

### Complementary

Line Rated Current	400 A
Number of Poles	3P
Control Type	Operating handle
Breaking capacity code	G
Breaking capacity	AIR 65 kA 240 V AC 50/60 Hz UL 489 AIR 35 kA 480 V AC 50/60 Hz UL 489 AIR 18 kA 600 V AC 50/60 Hz UL 489 Icu 50 kA 240 V AC 50/60 Hz IEC 60947-2 Icu 35 kA 380/415 V AC 50/60 Hz IEC 60947-2
[Ue] rated operational voltage	600 V AC 50/60 Hz UL 489
Network Frequency	50/60 Hz
[Ics] rated service breaking capacity	25 kA 240 V AC 50/60 Hz IEC 60947-2 20 kA 380/415 V AC 50/60 Hz IEC 60947-2
[Uimp] rated impulse withstand voltage	8 kV IEC 60947-2
Trip unit technology	Electronic, basic, ET 1.0,
Magnetic tripping current	800...4000 A
Continuous current rating	80 %
[Ui] rated insulation voltage	750 V IEC 60947-2
Trip unit name	ET 1.0
Suitability for isolation	Yes IEC 60947-2
Utilisation category	Category A
AWG gauge	3 x AWG 3/0...3 x 500 kcmil aluminium/copper
Local signalling	1 trip indicator green)
Mounting mode	I-Line bracket)

\* Price is "List Price" and may be subject to a trade discount – check with your local distributor or retailer for actual price.

<b>Mounting Support</b>	Bracket
<b>Electrical connection</b>	I-Line connection line Lugs load
<b>Terminal identifier</b>	AL800M23K
<b>Long time pick-up adjustment range</b>	300...800 A
<b>Mounting Height</b>	9 in (228.60 mm)
<b>Tightening torque</b>	442.54 lbf.in (50 N.m) 0.15...0.37 in <sup>2</sup> (95...240 mm <sup>2</sup> ) (3 x AWG 3/0...3 x 500 kcmil)
<b>Number of slots</b>	2 auxiliary switch OF plug-in) 1 alarm switch SD plug-in) 1 voltage release MN or MX plug-in)
<b>Power wire stripping length</b>	0.98 in (25 mm)
<b>Color</b>	Black
<b>Height</b>	12.86 in (326.64 mm)
<b>Width</b>	8.27 in (210.06 mm)
<b>Depth</b>	8.05 in (204.47 mm)
<b>Net Weight</b>	29 lb(US) (13.15 kg)
<b>Quantity per Set</b>	1
<b>Circuit breaker application</b>	HACR rated

## Environment

<b>Quality labels</b>	CE
<b>Standards</b>	UL CSA NEMA NOM-003-SCFI-2000 IEC 60947-2
<b>Product certifications</b>	UL CSA NOM
<b>IP degree of protection</b>	IP40
<b>Pollution degree</b>	3 IEC 60947-1
<b>Ambient Air Temperature for Operation</b>	-13...158 °F (-25...70 °C)
<b>Ambient Air Temperature for Storage</b>	-58...185 °F (-50...85 °C)
<b>Operating altitude</b>	< 6561.68 ft (2000 m) without derating 13123.36 ft (4000 m) with derating

## Ordering and shipping details

<b>Category</b>	01200-MG, MJ I-LINE BREAKER
<b>Discount Schedule</b>	DE2
<b>GTIN</b>	785901496144
<b>Returnability</b>	Yes
<b>Country of origin</b>	US

## Packing Units

<b>Unit Type of Package 1</b>	PCE
<b>Number of Units in Package 1</b>	1
<b>Package 1 Height</b>	10.50 in (26.67 cm)
<b>Package 1 Width</b>	11.80 in (29.972 cm)

<b>Package 1 Length</b>	18.30 in (46.482 cm)
<b>Package 1 Weight</b>	29.00 lb(US) (13.154 kg)

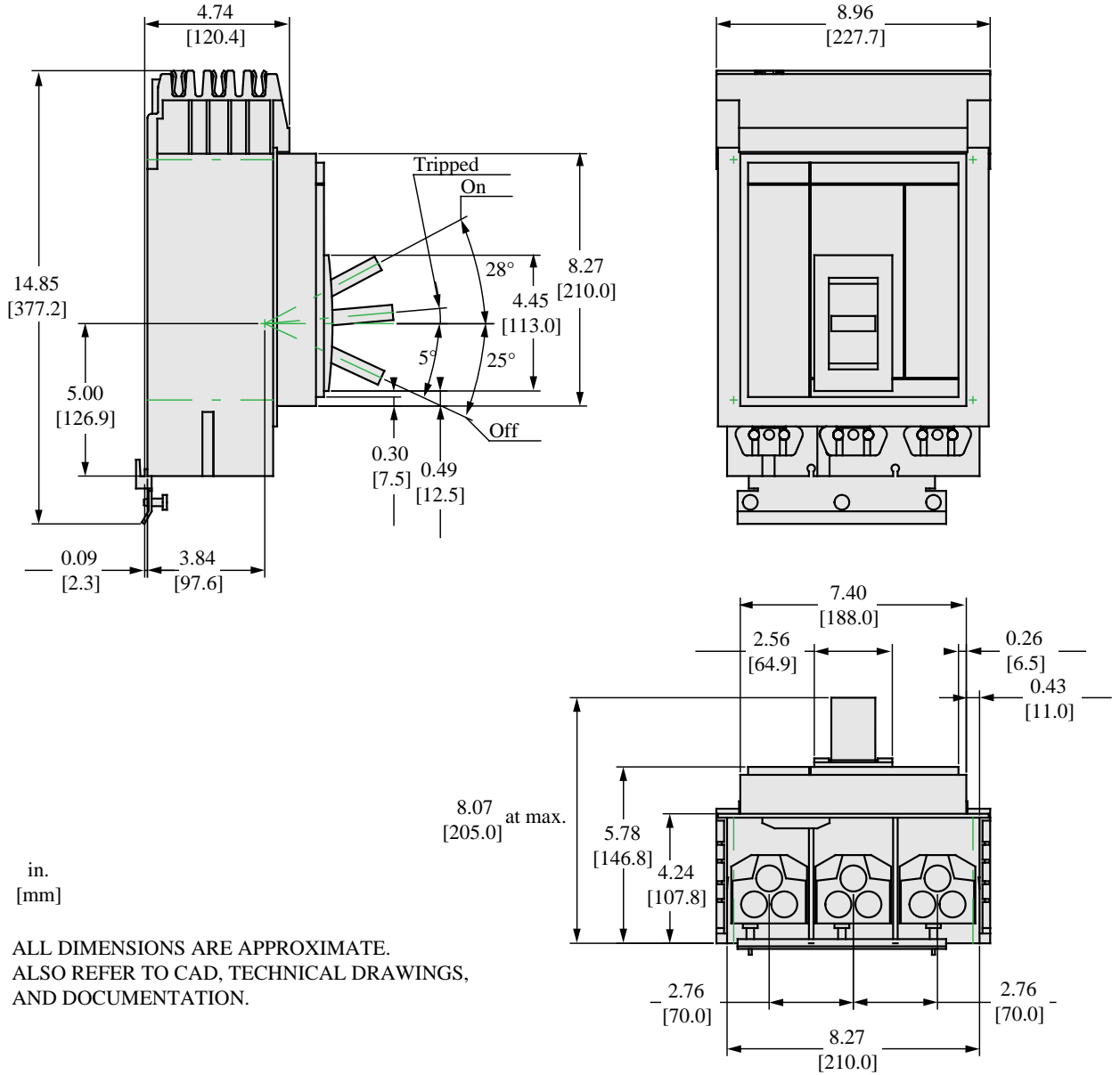
## Offer Sustainability

<b>Sustainable offer status</b>	Green Premium product
<b>California proposition 65</b>	WARNING: This product can expose you to chemicals including: DINP, which is known to the State of California to cause cancer, and DIDP, which is known to the State of California to cause birth defects or other reproductive harm. For more information go to <a href="http://www.P65Warnings.ca.gov">www.P65Warnings.ca.gov</a>
<b>REACH Regulation</b>	<a href="#">REACH Declaration</a>
<b>EU RoHS Directive</b>	Compliant <a href="#">EU RoHS Declaration</a>
<b>Mercury free</b>	Yes
<b>China RoHS Regulation</b>	<a href="#">China RoHS declaration</a> Product out of China RoHS scope. Substance declaration for your information.
<b>RoHS exemption information</b>	Yes
<b>Environmental Disclosure</b>	<a href="#">Product Environmental Profile</a>
<b>Circularity Profile</b>	<a href="#">End of Life Information</a>
<b>PVC free</b>	Yes

## Contractual warranty

<b>Warranty</b>	18 months
-----------------	-----------

**Dimensions**



in.  
[mm]

ALL DIMENSIONS ARE APPROXIMATE.  
 ALSO REFER TO CAD, TECHNICAL DRAWINGS,  
 AND DOCUMENTATION.

**Recommended replacement(s)**