

Product data sheet

Specifications

SQUARE D

Green Premium™



Circuit breaker, PowerPacT L, 600A, 3 pole, 600VAC, 25kA, I-Line, Micrologic 3.3S, 80%, ABC

LJA36600U33X

Product availability : Stock - Normally stocked in distribution facility

Price* : 11,429.00 USD

Main

Range	PowerPact
Product name	PowerPact L
Device short name	L-Frame
Product or Component Type	Circuit breaker
Device Application	Distribution

Complementary

Line Rated Current	600 A
Number of Poles	3P
Control Type	Toggle
Breaking capacity code	J
Breaking capacity	100 kA 240 V AC 50/60 Hz UL 489 65 kA 480 V AC 50/60 Hz UL 489 25 kA 600 V AC 50/60 Hz UL 489 20 kA 250 V DC UL 489
[Ue] rated operational voltage	600 V AC 50/60 Hz IEC 60947-3
Network Frequency	50/60 Hz
[Ics] rated service breaking capacity	65 kA 220/240 V AC 50/60 Hz IEC 60947-2 35 kA 380/440/415 V AC 50/60 Hz IEC 60947-2 18 kA 500/525 V AC 50/60 Hz IEC 60947-2 20 kA 250 V DC IEC 60947-2 20 kA 500 V DC IEC 60947-2
[Uimp] rated impulse withstand voltage	8 kV IEC 60947-2
Trip unit technology	Electronic, standard, Micrologic 3.3 S, LSI
Continuous current rating	80 %
[Ui] rated insulation voltage	750 V IEC 60947-2
Trip unit name	Micrologic 3.3 S
Protection technology	Current limiter
Suitability for isolation	Yes IEC 60947-2
Utilisation category	Category A
AWG gauge	2 x AWG 2/0...500 kcmil aluminium/copper
Local signalling	Ready 1 LED green)

* Price is "List Price" and may be subject to a trade discount – check with your local distributor or retailer for actual price.

Alarm 1 LED 90 % Ir orange)
Alarm LED 105 % Ir red)
Switched off (OFF) 1 trip indicator green)

Mounting mode	I-Line bracket)
Mounting Support	Bracket
Electrical connection	I-Line connection line Lugs load
Terminal identifier	AL600LF52K3
Long time pick-up adjustment range	0.25...1 x In
Mounting Height	6 in (152.40 mm)
Tightening torque	442.54 lbf.in (50 N.m) 0.11...0.37 in ² (70...240 mm ²) (2 x AWG 2/0...500 kcmil)
Number of slots	2 auxiliary switch OF plug-in) 1 alarm switch SD plug-in) 1 overcurrent trip switch SDE plug-in) 1 voltage release MN or MX plug-in)
Power wire stripping length	1.22 in (31 mm)
Color	Black
Height	13.39 in (340 mm)
Width	5.51 in (140 mm)
Depth	4.33 in (110 mm)
Net Weight	13.67 lb(US) (6.2 kg)
Phase connection	ABC
Communication interface	Modbus Ethernet
Circuit breaker application	HACR rated

Environment

Standards	UL CSA NEMA NOM-003-SCFI-2000 IEC 60947-2
Product certifications	UL CSA NOM
IP degree of protection	Front cover IP40
Pollution degree	3 IEC 60947-1
Ambient Air Temperature for Operation	28...158 °F (-2...70 °C)
Ambient Air Temperature for Storage	-58...185 °F (-50...85 °C)
Operating altitude	< 6561.68 ft (2000 m) without derating 5000 m with derating

Ordering and shipping details

Category	01118-L ELEC TRIP I-LINE BREAKER/SW
Discount Schedule	DE2
GTIN	00785901803027
Returnability	Yes
Country of origin	US

Packing Units

Unit Type of Package 1	PCE
Number of Units in Package 1	1
Package 1 Height	10.70 in (27.178 cm)
Package 1 Width	11.30 in (28.702 cm)
Package 1 Length	22.00 in (55.88 cm)
Package 1 Weight	19.16 lb(US) (8.691 kg)
Unit Type of Package 2	PAL
Number of Units in Package 2	32
Package 2 Height	40.00 in (101.6 cm)
Package 2 Width	36.00 in (91.44 cm)
Package 2 Length	48.00 in (121.92 cm)
Package 2 Weight	613.67 lb(US) (278.356 kg)

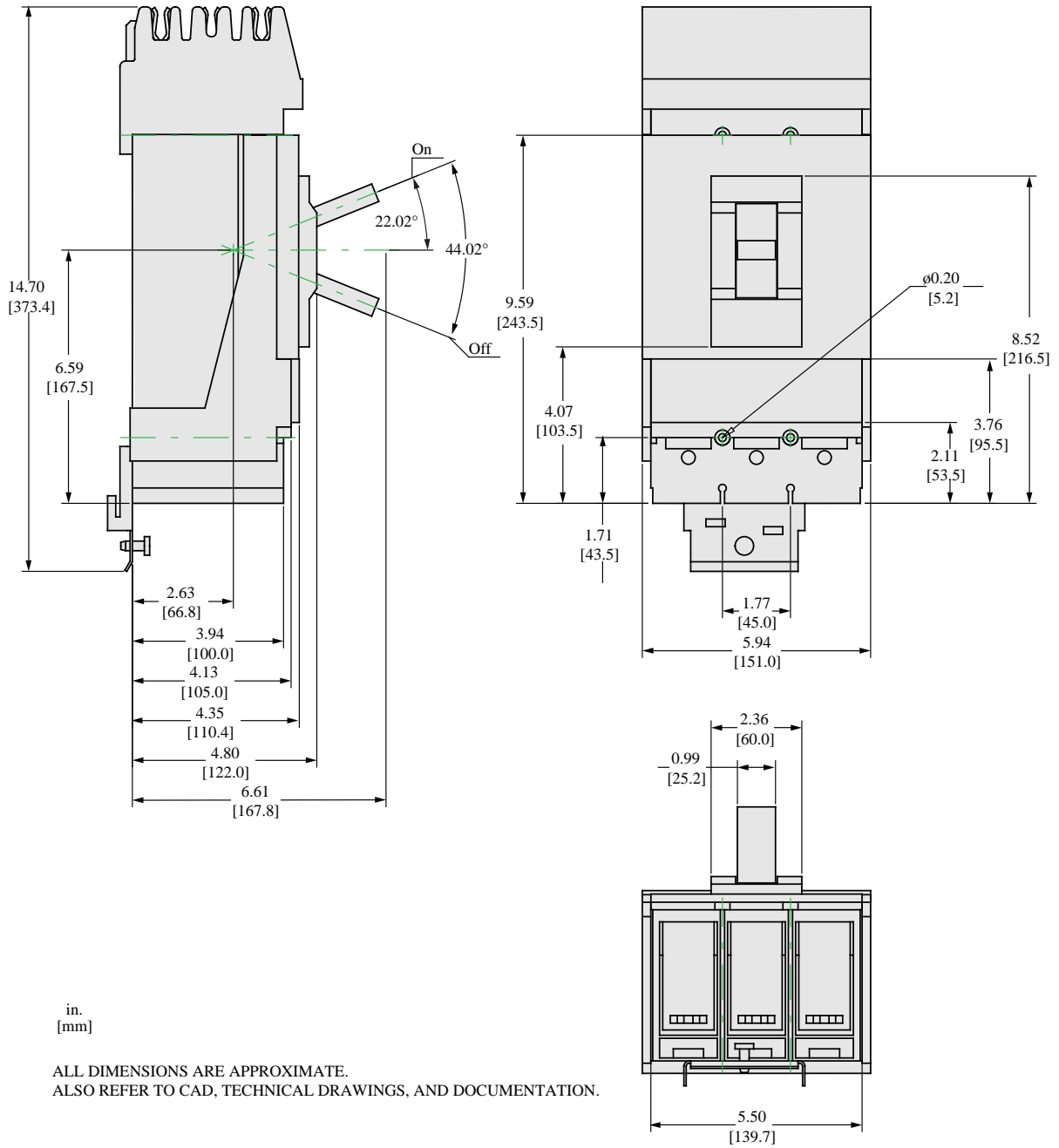
Offer Sustainability

Sustainable offer status	Green Premium product
California proposition 65	WARNING: This product can expose you to chemicals including: DINP, which is known to the State of California to cause cancer, and DIDP, which is known to the State of California to cause birth defects or other reproductive harm. For more information go to www.P65Warnings.ca.gov
REACH Regulation	REACH Declaration
EU RoHS Directive	Compliant EU RoHS Declaration
Mercury free	Yes
RoHS exemption information	Yes
China RoHS Regulation	China RoHS declaration Product out of China RoHS scope. Substance declaration for your information.
Environmental Disclosure	Product Environmental Profile
Circularity Profile	End of Life Information
PVC free	Yes

Contractual warranty

Warranty	18 months
----------	-----------

Dimensions



in.
[mm]

ALL DIMENSIONS ARE APPROXIMATE.
 ALSO REFER TO CAD, TECHNICAL DRAWINGS, AND DOCUMENTATION.

Recommended replacement(s)