

# Product data sheet

Specifications

SQUARE D

Green Premium™



## Circuit breaker, PowerPacT L, 600A, 3 pole, 600VAC, 25kA, I-Line, Micrologic 3.3, 80%, ABC

LJA36600U31X

Product availability : Stock - Normally stocked in distribution facility

**Price\* : 10,836.00 USD**

### Main

Range	PowerPact
Product name	PowerPact L
Device short name	L-Frame
Product or Component Type	Circuit breaker
Device Application	Distribution

### Complementary

Line Rated Current	600 A
Number of Poles	3P
Control Type	Toggle
Breaking capacity code	J
Breaking capacity	100 kA 240 V AC 50/60 Hz UL 489 65 kA 480 V AC 50/60 Hz UL 489 25 kA 600 V AC 50/60 Hz UL 489 20 kA 250 V DC UL 489
[Ue] rated operational voltage	600 V AC 50/60 Hz IEC 60947-3
Network Frequency	50/60 Hz
[Ics] rated service breaking capacity	65 kA 220/240 V AC 50/60 Hz IEC 60947-2 35 kA 380/440/415 V AC 50/60 Hz IEC 60947-2 18 kA 500/525 V AC 50/60 Hz IEC 60947-2 20 kA 250 V DC IEC 60947-2 20 kA 500 V DC IEC 60947-2
[Uimp] rated impulse withstand voltage	8 kV IEC 60947-2
Trip unit technology	Electronic, standard, Micrologic 3.3, LI
Continuous current rating	80 %
[Ui] rated insulation voltage	750 V IEC 60947-2
Trip unit name	Micrologic 3.3
Protection technology	Current limiter
Suitability for isolation	Yes IEC 60947-2
Utilisation category	Category A
AWG gauge	2 x AWG 2/0...500 kcmil aluminium/copper
Local signalling	Ready 1 LED green)

\* Price is "List Price" and may be subject to a trade discount – check with your local distributor or retailer for actual price.

Alarm 1 LED 90 % Ir orange)  
 Alarm LED 105 % Ir red)  
 Switched off (OFF) 1 trip indicator green)

<b>Mounting mode</b>	I-Line bracket)
<b>Mounting Support</b>	Bracket
<b>Electrical connection</b>	I-Line connection line Lugs load
<b>Terminal identifier</b>	AL600LF52K3
<b>Long time pick-up adjustment range</b>	0.25...1 x In
<b>Mounting Height</b>	6 in (152.40 mm)
<b>Tightening torque</b>	442.54 lbf.in (50 N.m) 0.11...0.37 in <sup>2</sup> (70...240 mm <sup>2</sup> ) (2 x AWG 2/0...500 kcmil)
<b>Number of slots</b>	2 auxiliary switch OF plug-in) 1 alarm switch SD plug-in) 1 overcurrent trip switch SDE plug-in) 1 voltage release MN or MX plug-in)
<b>Power wire stripping length</b>	1.22 in (31 mm)
<b>Color</b>	Black
<b>Height</b>	13.39 in (340 mm)
<b>Width</b>	5.51 in (140 mm)
<b>Depth</b>	4.33 in (110 mm)
<b>Net Weight</b>	13.67 lb(US) (6.2 kg)
<b>Phase connection</b>	ABC
<b>Communication interface</b>	Modbus Ethernet
<b>Circuit breaker application</b>	HACR rated

## Environment

<b>Standards</b>	UL CSA NEMA NOM-003-SCFI-2000 IEC 60947-2
<b>Product certifications</b>	UL CSA NOM
<b>IP degree of protection</b>	Front cover IP40
<b>Pollution degree</b>	3 IEC 60947-1
<b>Ambient Air Temperature for Operation</b>	28...158 °F (-2...70 °C)
<b>Ambient Air Temperature for Storage</b>	-58...185 °F (-50...85 °C)
<b>Operating altitude</b>	< 6561.68 ft (2000 m) without derating 5000 m with derating

## Ordering and shipping details

<b>Category</b>	01118-L ELEC TRIP I-LINE BREAKER/SW
<b>Discount Schedule</b>	DE2
<b>GTIN</b>	00785901404712
<b>Returnability</b>	No
<b>Country of origin</b>	US

## Packing Units

Unit Type of Package 1	PCE
Number of Units in Package 1	1
Package 1 Height	8.80 in (22.352 cm)
Package 1 Width	14.00 in (35.56 cm)
Package 1 Length	31.70 in (80.518 cm)
Package 1 Weight	18.31 lb(US) (8.305 kg)

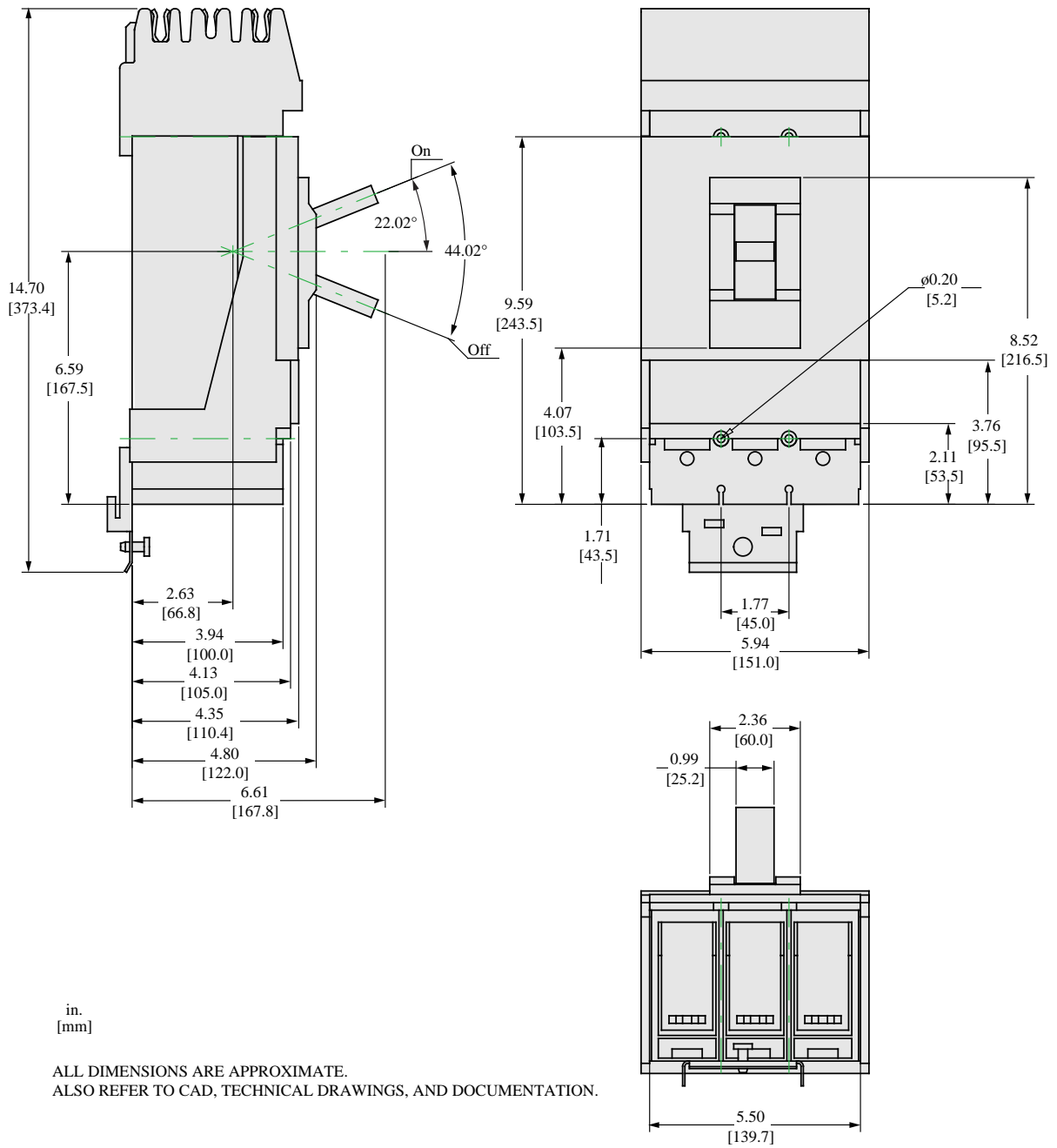
## Offer Sustainability

Sustainable offer status	Green Premium product
California proposition 65	WARNING: This product can expose you to chemicals including: DINP, which is known to the State of California to cause cancer, and DIDP, which is known to the State of California to cause birth defects or other reproductive harm. For more information go to <a href="http://www.P65Warnings.ca.gov">www.P65Warnings.ca.gov</a>
REACH Regulation	<a href="#">REACH Declaration</a>
EU RoHS Directive	Compliant <a href="#">EU RoHS Declaration</a>
Mercury free	Yes
RoHS exemption information	Yes
China RoHS Regulation	<a href="#">China RoHS declaration</a> Product out of China RoHS scope. Substance declaration for your information.
Environmental Disclosure	<a href="#">Product Environmental Profile</a>
Circularity Profile	<a href="#">End of Life Information</a>
PVC free	Yes

## Contractual warranty

Warranty	18 months
----------	-----------

**Dimensions**



in.  
[mm]

ALL DIMENSIONS ARE APPROXIMATE.  
 ALSO REFER TO CAD, TECHNICAL DRAWINGS, AND DOCUMENTATION.

**Recommended replacement(s)**