

Product data sheet

Specifications

SQUARE D

Green Premium™



Circuit breaker, PowerPact J, 150A, 3 pole, 600VAC, 14kA, I-Line, thermal magnetic, 80%, ABC

JDA36150

Product availability : Stock - Normally stocked in distribution facility

Price* : 2,867.00 USD

Main

Product or Component Type Circuit breaker

Complementary

Line Rated Current 150 A

Number of Poles 3P

Control Type Toggle

Breaking capacity code D

Breaking capacity 25 kA 240 V AC 50/60 Hz UL 489
18 kA 480 V AC 50/60 Hz
14 kA 600 V AC 50/60 Hz
20 kA 250 V DC

[Ue] rated operational voltage 600 V AC 50/60 Hz IEC 60947-3

Network Frequency 50/60 Hz

[Ics] rated service breaking capacity 25 kA 220/240 V AC 50/60 Hz IEC 60947-2
18 kA 380/440/415 V AC 50/60 Hz IEC 60947-2
14 kA 500/525 V AC 50/60 Hz IEC 60947-2
20 kA 250 V DC IEC 60947-2
20 kA 500 V DC IEC 60947-2

[Uimp] rated impulse withstand voltage 8 kV IEC 60947-2

Trip unit technology Thermal-magnetic

Magnetic tripping current 1750 A

Magnetic hold current 750 A

Continuous current rating 80 %

[Ui] rated insulation voltage 750 V IEC 60947-2

Protection Type Overload protection
Short-circuit protection

Suitability for isolation Yes IEC 60947-2

Utilisation category Category A

AWG gauge AWG 4...AWG 4/0 aluminium/copper terminal

Local signalling Switched off (OFF) 1 trip indicator green)

Mounting mode I-Line bracket)

Mounting Support Bracket

* Price is "List Price" and may be subject to a trade discount – check with your local distributor or retailer for actual price.

Electrical connection	I-Line connection line Lugs load
Terminal identifier	AL175JD
Long time pick-up adjustment range	0.25...1 x In
Mounting Height	4.5 in (114.30 mm)
Tightening torque	221.27 lbf.in (25 N.m) 0.04...0.15 in ² (25...95 mm ²) (AWG 4...AWG 4/0)
Number of slots	2 auxiliary switch OF plug-in) 1 alarm switch SD plug-in) 1 overcurrent trip switch SDE plug-in) 1 voltage release MN or MX plug-in)
Power wire stripping length	0.98 in (25 mm)
Height	7.52 in (191 mm)
Width	4.09 in (104 mm)
Depth	3.39 in (86 mm)
Net Weight	5.29 lb(US) (2.4 kg)
Phase connection	ABC
Communication interface	Modbus

Environment

Quality labels	CE
Standards	UL CSA NEMA NOM-003-SCFI-2000 IEC 60947-2
Product certifications	UL CSA NOM
IP degree of protection	Front cover IP40
Pollution degree	3
Ambient air temperature for operation	28...158 °F (-2...70 °C)
Ambient Air Temperature for Storage	-58...185 °F (-50...85 °C)
Operating altitude	< 6561.68 ft (2000 m) without derating 5000 m with derating

Ordering and shipping details

Category	01112-HD, JD I-LINE BREAKER/SWITCH
Discount Schedule	DE2
GTIN	785901558422
Nbr. of units in pkg.	1
Package weight(Lbs)	6.66 lb(US) (3.02 kg)
Returnability	Yes
Country of origin	MX

Packing Units

Unit Type of Package 1	PCE
Package 1 Height	5.98 in (15.2 cm)
Package 1 width	8.39 in (21.3 cm)

Package 1 Length	15.00 in (38.1 cm)
------------------	--------------------

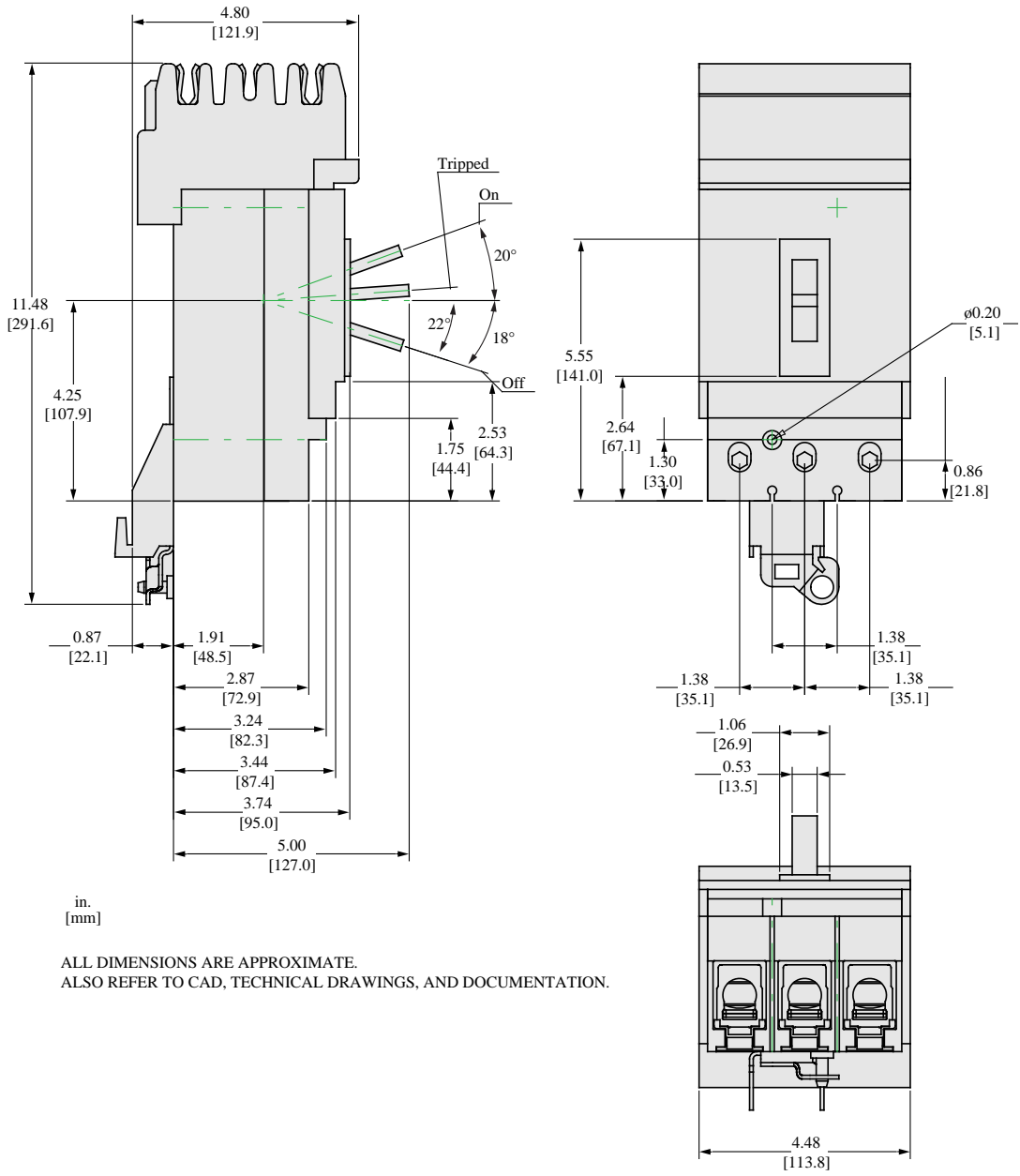
Offer Sustainability

Sustainable offer status	Green Premium product
California proposition 65	WARNING: This product can expose you to chemicals including: DINP, which is known to the State of California to cause cancer, and DIDP, which is known to the State of California to cause birth defects or other reproductive harm. For more information go to www.P65Warnings.ca.gov
REACH Regulation	REACH Declaration
EU RoHS Directive	Compliant EU RoHS Declaration
Mercury free	Yes
RoHS exemption information	Yes
China RoHS Regulation	China RoHS declaration Product out of China RoHS scope. Substance declaration for your information.
Environmental Disclosure	Product Environmental Profile
Circularity Profile	End of Life Information
PVC free	Yes

Contractual warranty

Warranty	18 months
----------	-----------

Dimensions



in.
[mm]

ALL DIMENSIONS ARE APPROXIMATE.
 ALSO REFER TO CAD, TECHNICAL DRAWINGS, AND DOCUMENTATION.