

# Product data sheet

Specifications

SQUARE D

Green Premium™



Safety switch, double throw, non fusible, 60A, 600 VAC/VDC, 3 poles, 60 hp, NEMA 1

DTU362

Product availability : Stock - Normally stocked in distribution facility

Price\* : 1,254.00 USD

## Main

Product	Double Throw Safety Switch
Duty Rating	Heavy duty
Disconnect Type	Non-fusible disconnect switch
Factory Installed Neutral	None
Number of Poles	3
Current Rating	60 A
Voltage Rating	600 V AC 600 V DC
Enclosure Rating	NEMA 1
Motor power hp	10 hp at 240 V AC 50-60 Hz for 1 phase motors 20 hp at 240 V AC 50-60 Hz for 3 phase motors 25 hp at 480 V AC 50-60 Hz for 1 phase motors 50 hp at 480 V AC 50-60 Hz for 3 phase motors 30 hp at 600 V AC 50-60 Hz for 1 phase motors 60 hp at 600 V AC 50-60 Hz for 3 phase motors 10 hp at 250 V DC 30 hp at 600 V DC

## Complementary

Short-circuit current	10 kA H or K 200 kA R, J or T
Fuse type	H or K R, J or T
Mounting Type	Surface
Wire Size	AWG 12...AWG 2 aluminium AWG 14...AWG 2 copper
Tightening torque	35 lbf.in (3.95 N.m) 0.00...0.01 in <sup>2</sup> (2.06...5.26 mm <sup>2</sup> ) (AWG 14...AWG 10) 40 lbf.in (4.52 N.m) 0.01 in <sup>2</sup> (8.37 mm <sup>2</sup> ) (AWG 8) 45 lbf.in (5.08 N.m) 0.02...0.03 in <sup>2</sup> (13.3...21.15 mm <sup>2</sup> ) (AWG 6...AWG 4) 50 lbf.in (5.65 N.m) 0.04...0.05 in <sup>2</sup> (26.67...33.62 mm <sup>2</sup> ) (AWG 3...AWG 2)
Depth	6.93 in (176.02 mm)
Width	11.96 in (303.78 mm)
Height	29.94 in (760.48 mm)
Net Weight	39.00 lb(US) (17.69 kg)

\* Price is "List Price" and may be subject to a trade discount – check with your local distributor or retailer for actual price.

## Environment

Certifications UL Listed

## Ordering and shipping details

Category 00033-DT SWITCH,NEMA1

Discount Schedule DE1

GTIN 785901308676

Returnability Yes

Country of origin US

## Packing Units

Unit Type of Package 1 PCE

Number of Units in Package 1 1

Package 1 Height 10.30 in (26.162 cm)

Package 1 Width 12.50 in (31.75 cm)

Package 1 Length 33.00 in (83.82 cm)

Package 1 Weight 35.00 lb(US) (15.876 kg)

## Offer Sustainability

Sustainable offer status Green Premium product

California proposition 65 WARNING: This product can expose you to chemicals including: Lead and lead compounds, which is known to the State of California to cause cancer and birth defects or other reproductive harm. For more information go to [www.P65Warnings.ca.gov](http://www.P65Warnings.ca.gov)

REACH Regulation [REACH Declaration](#)

REACH free of SVHC Yes

EU RoHS Directive Compliant  
[EU RoHS Declaration](#)

Toxic heavy metal free Yes

Mercury free Yes

RoHS exemption information [Yes](#)

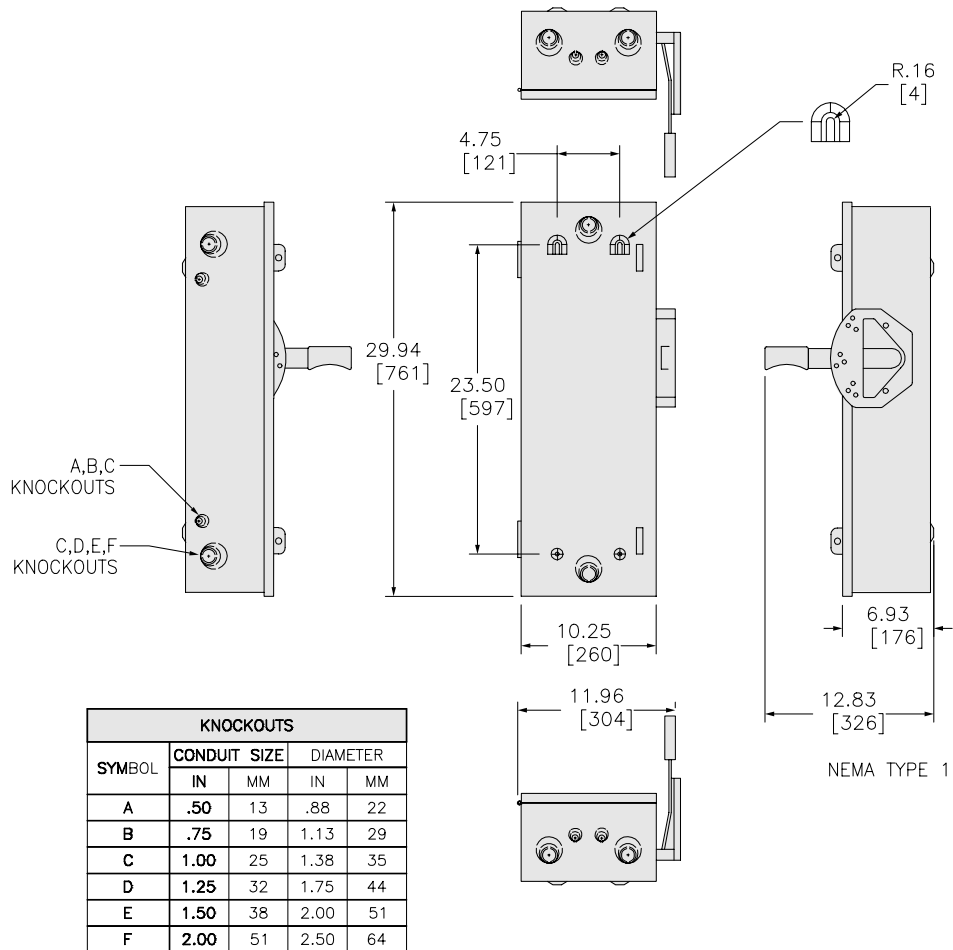
China RoHS Regulation [China RoHS declaration](#)  
Pro-active China RoHS declaration (out of China RoHS legal scope)

Environmental Disclosure [Product Environmental Profile](#)

## Contractual warranty

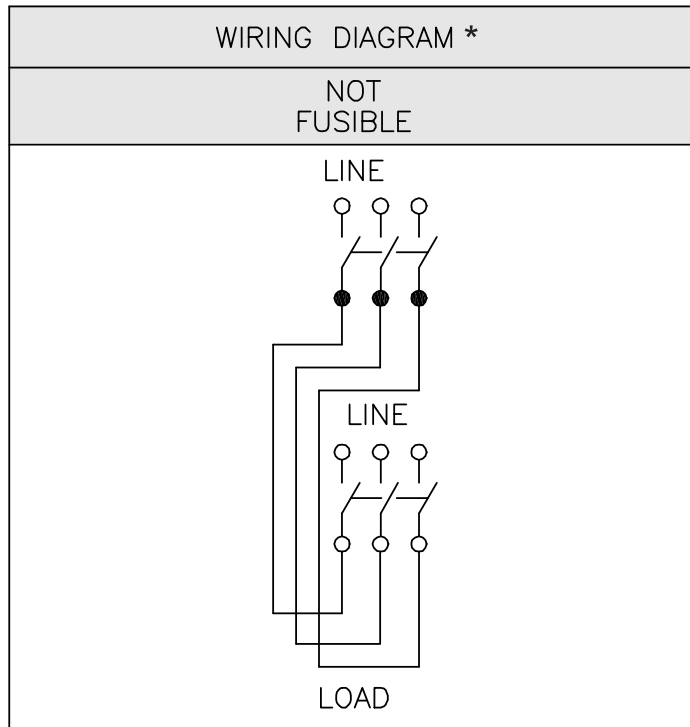
Warranty 18 months

**Dimensions**



ALL DIMENSIONS ARE APPROXIMATE.  
 REFER TO TECHNICAL DRAWINGS AND DOCUMENTATION FOR COMPLETE INFORMATION.

Wiring Diagram



DTU321 DTU362  
DTU361 DTU323  
DTU322 DTU363

\* FIELD CONVERTABLE TO FEED TWO ALTERNATE LOADS  
FROM A SINGLE SOURCE

Recommended replacement(s)