

# Product data sheet

Specifications

SQUARE D

Green Premium™



Industrial control transformer, Type T, 1 phase, 2000VA, 240x480V primary, 120V secondary, 50/60Hz

9070T2000D1

Product availability : Stock - Normally stocked in distribution facility

**Price\* : 1,373.00 USD**

## Main

|              |                                |
|--------------|--------------------------------|
| Product Type | Industrial Control Transformer |
| Power Rating | 2000 VA                        |
| Type         | T                              |

## Complementary

|                                |  |
|--------------------------------|--|
| Number of Phases               | 1 phase<br>2000 VA UL<br>2000 VA CSA<br>2000 VA NOM<br>1500 VA |
| Temperature Rise               | 115 °C   |
| Electrical Connection          | Screw clamp terminals  |
| Height                         | 6.17 in (156.72 mm)  |
| Width                          | 7.06 in (179.32 mm)  |
| Depth                          | 7.17 in (182.12 mm)  |
| Material                       | Copper winding   |
| Fingersafe Cover Compatibility | FSC2   |

## Environment

|                        |  |
|------------------------|--|
| Certifications         | CSA file LR37055 guide 184-N-90<br>UL listed file E61239 |
| Enclosure Type         | Not rated (open device)                                  |
| Insulation Temperature | 356 °F (180 °C)  |

## Ordering and shipping details

|                   |                                  |
|-------------------|----------------------------------|
| Category          | 16201-9070 T (NOT TF) 250-2000VA |
| Discount Schedule | CP8                              |
| GTIN              | 785901876045                     |
| Returnability     | Yes                              |
| Country of origin | MX                               |

\* Price is "List Price" and may be subject to a trade discount – check with your local distributor or retailer for actual price.

## Packing Units

|                              |                             |
|------------------------------|-----------------------------|
| Unit Type of Package 1       | PCE                         |
| Number of Units in Package 1 | 1                           |
| Package 1 Height             | 11.90 in (30.226 cm)        |
| Package 1 Width              | 11.70 in (29.718 cm)        |
| Package 1 Length             | 14.70 in (37.338 cm)        |
| Package 1 Weight             | 48.60 lb(US) (22.045 kg)    |
| Unit Type of Package 2       | PAL                         |
| Number of Units in Package 2 | 24                          |
| Package 2 Height             | 40.00 in (101.6 cm)         |
| Package 2 Width              | 40.00 in (101.6 cm)         |
| Package 2 Length             | 48.00 in (121.92 cm)        |
| Package 2 Weight             | 1188.00 lb(US) (538.867 kg) |

## Offer Sustainability

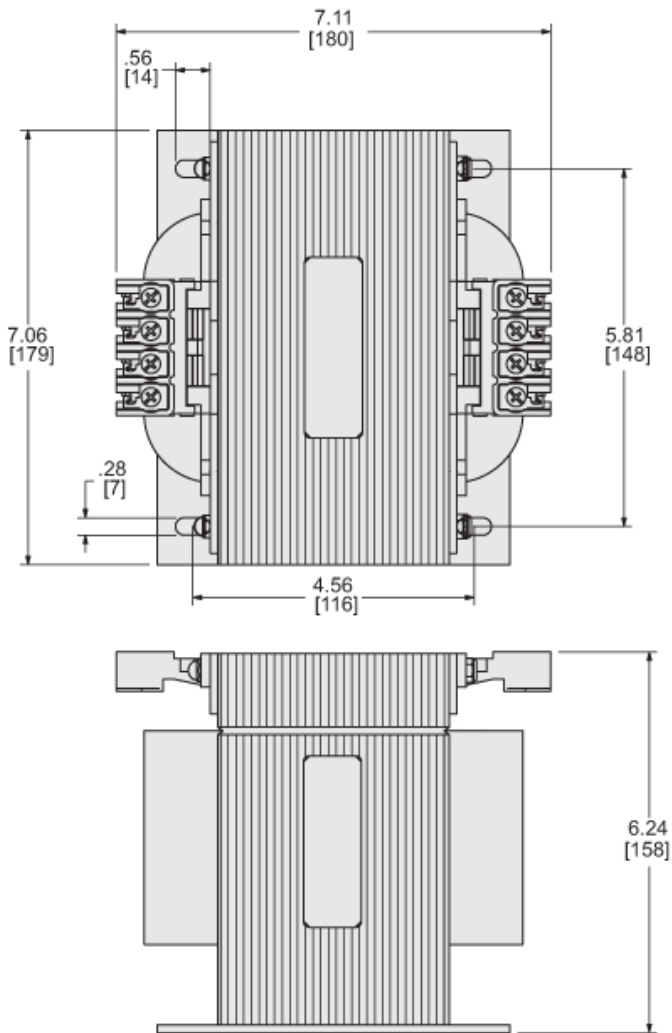
|                            |   |
|----------------------------|---|
| Sustainable offer status   | Green Premium product   |
| California proposition 65  | WARNING: This product can expose you to chemicals including: Phenyl glycidyl ether, which is known to the State of California to cause cancer and birth defects or other reproductive harm. For more information go to <a href="http://www.P65Warnings.ca.gov">www.P65Warnings.ca.gov</a> |
| REACH Regulation           | <a href="#">REACH Declaration</a>   |
| EU RoHS Directive          | Compliant<br><a href="#">EU RoHS Declaration</a>  |
| Mercury free               | Yes   |
| RoHS exemption information | <a href="#">Yes</a>   |
| China RoHS Regulation      | <a href="#">China RoHS declaration</a><br>Product out of China RoHS scope. Substance declaration for your information.  |
| Environmental Disclosure   | <a href="#">Product Environmental Profile</a>   |
| PVC free                   | Yes   |

## Contractual warranty

|          |          |
|----------|----------|
| Warranty | 10 Years |
|----------|----------|

Approximate Dimensions

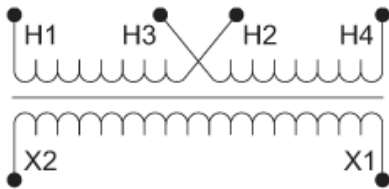
---



**Connections and Wiring Diagrams**

**Voltage and Connection Options**

| Voltage Code | Voltages                            |                   | Connections  |                      |
|--------------|-------------------------------------|-------------------|--|----------------------|
|              | Primary                             | Secondary         | Primary  | Secondary            |
| D1           | 220 x 440<br>230 x 460<br>240 x 480 | 110<br>115<br>120 | 220/230/240 V:<br>Connect to H1 and H4<br>Jumper H1 and H3<br>Jumper H2 with H4<br>440/460/480 V:<br>Connect to H1 and H4<br>Jumper H2 with H3 | Connect to X1 and X2 |



**Recommended replacement(s)**