

Product data sheet

Specifications

SQUARE D

Green Premium™



Industrial control transformer, Type T, 1 phase, 100VA, 240x480V primary, 120V secondary, 50/60Hz

9070T100D1

Product availability : Stock - Normally stocked in distribution facility

Price* : 186.00 USD

Main

Product Type	Industrial Control Transformer
Power Rating	100 VA
Type	T

Complementary

Number of Phases	1 phase
	100 VA
Temperature Rise	55 °C
Electrical Connection	Screw clamp terminals
Height	2.89 in (73.41 mm)
Width	3.38 in (85.85 mm)
Depth	3.34 in (84.84 mm)
Material	Copper winding
Fingersafe Cover Compatibility	FSC1

Environment

Certifications	UL listed file E61239 CSA file LR37055 guide 184-N-90
Enclosure Type	Not rated (open device)
Insulation Temperature	221 °F (105 °C)

Ordering and shipping details

Category	16200-9070 T (NOT TF) 50-200VA
Discount Schedule	CP8
GTIN	785901904649
Returnability	Yes
Country of origin	MX

Packing Units

Unit Type of Package 1	PCE
------------------------	-----

* Price is "List Price" and may be subject to a trade discount – check with your local distributor or retailer for actual price.

Number of Units in Package 1	1
Package 1 Height	5.70 in (14.48 cm)
Package 1 Width	6.30 in (16 cm)
Package 1 Length	7.25 in (18.42 cm)
Package 1 Weight	4.14 lb(US) (1.88 kg)
Unit Type of Package 2	PAL
Number of Units in Package 2	450
Package 2 Height	40.00 in (101.6 cm)
Package 2 Width	40.00 in (101.6 cm)
Package 2 Length	48.00 in (121.92 cm)
Package 2 Weight	1723.24 lb(US) (781.65 kg)

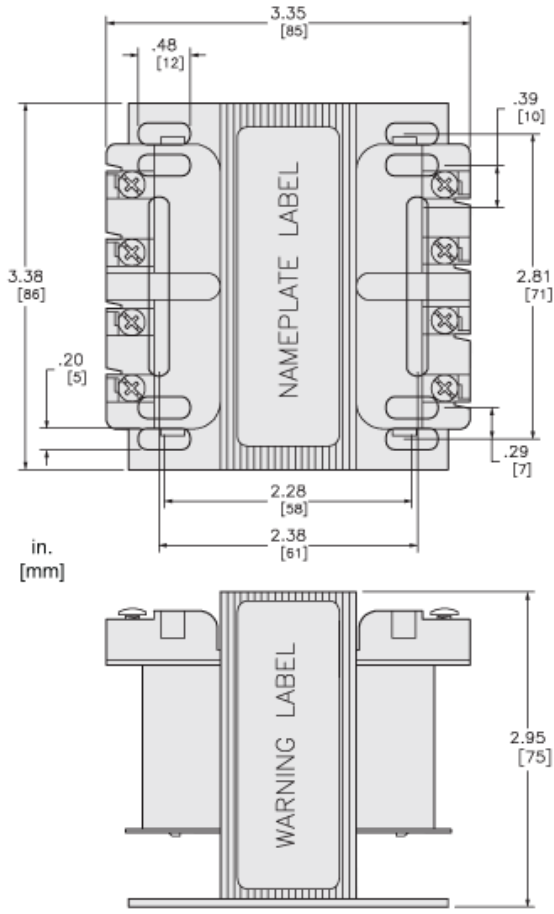
Offer Sustainability

Sustainable offer status	Green Premium product
California proposition 65	WARNING: This product can expose you to chemicals including: Phenyl glycidyl ether, which is known to the State of California to cause cancer and birth defects or other reproductive harm. For more information go to www.P65Warnings.ca.gov
REACH Regulation	REACH Declaration
EU RoHS Directive	Compliant EU RoHS Declaration
Mercury free	Yes
RoHS exemption information	Yes
China RoHS Regulation	China RoHS declaration Product out of China RoHS scope. Substance declaration for your information.
Environmental Disclosure	Product Environmental Profile
PVC free	Yes

Contractual warranty

Warranty	10 Years
-----------------	----------

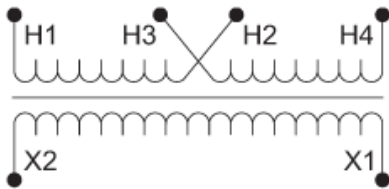
Approximate Dimensions



Connections and Wiring Diagrams

Voltage and Connection Options

Voltage Code	Voltages		Connections	
	Primary	Secondary	Primary	Secondary
D1	220 x 440	110	220/230/240 V: Connect to H1 and H4 Jumper H1 and H3	Connect to X1 and X2
	230 x 460	115	Jumper H2 with H4	
	240 x 480	120	440/460/480 V: Connect to H1 and H4 Jumper H2 with H3	



Recommended replacement(s)