

# 9013FSG2J24

water pump switch, 9013FSG, adjustable differential, 40 to 60 psi, 1 HP

Product availability : Stock - Normally stocked in distribution facility



Price\* : 21.40 USD



## Main

|                              |   |
|------------------------------|---|
| Range of product             | Square D Pumptrol                                   |
| Pressure sensor name         | 9013FS  |
| Pressure sensor size         | 65 psi (448.16 kPa) 5...45 psi (34.47...310.26 kPa) |
| Value of setting             | 40...60 psi   |
| Electrical circuit type      | Power circuit                                       |
| Product specific application | Control electrically driven water pumps             |
| Quantity per set             | 1   |
| Type of packing              | Individual  |

## Complementary

|                                     |   |
|-------------------------------------|---|
| Pressure sensor type                | Electromechanical pressure switch   |
| Controlled fluid                    | Fresh water -22...257 °F (-30...125 °C))                                    |
| Adjustable range on rising pressure | 20...65 psi (137.90...448.16 kPa)   |
| Approximate adjustable differential | 15...30 psi (103.42...206.84 kPa)   |
| Destruction pressure                | 220 psi (1516.85 kPa)   |
| Pressure actuator                   | Diaphragm   |
| Pressure switch type of operation   | Regulation between 2 thresholds   |
| Scale type                          | Adjustable differential   |
| Setting                             | Internal  |
| Local display                       | Without   |
| Contacts type and composition       | 2 NC, snap action, DPST-DB, Form YY   |
| Cable entry number                  | 2 0.88 in (22.35 mm) cable entries with 0.84 in across flats UL 508         |
| Electrical connection               | Screw-clamp terminals 10 AWG<br>Screw-clamp terminals 5.261 mm <sup>2</sup> |
| Fluid connection type               | 0.25 inch NPSF internal UL 508  |

\* Price is "List Price" and may be subject to a trade discount – check with your local distributor or retailer for actual price.

|                                 |  |
|---------------------------------|--|
| Short-circuit protection        | 20 A cartridge fuse, type gG   |
| Materials in contact with fluid | Zinc plated steel or equivalent flange<br>Nitrile (Buna-N) or equivalent rubber diaphragm  |
| Material                        | Polypropylene Cover<br>Noryl thermoplastic resin or equivalent Cover   |
| Operating position              | Any position   |
| Motor power kW                  | 1.5 kW 2 hp)230 V AC, 1 phase<br>1.1 kW 1.5 hp)115 V AC, 1 phase<br>1.5 kW 2 hp)115 V AC, 3 phase<br>2.2 kW 3 hp)230 V AC, 3 phase<br>0.75 kW 1 hp)460 V AC, 3 phase<br>0.75 kW 1 hp)575 V AC, 3 phase |
| Electrical durability           | 100000 cycles 10 cyc/mn  |
| Mechanical durability           | 300000 cycles  |
| Terminal block type             | 4 terminals  |
| Maximum operating rate          | 10 cyc/mn  |
| [Ui] rated insulation voltage   | 575 V UL 508   |
| Net Weight                      | 1 lb(US) (0.45 kg)   |
| Repeat accuracy                 | +/- 3 %  |
| Terminals description ISO n°1   | L2-T2<br>L1-T1   |
| Width                           | 2.78 in (70.61 mm)   |
| Height                          | 2.8 in (71.12 mm)  |
| Depth                           | 3.76 in (95.50 mm)   |
| Factory modification            | -  |

## Environment

|                                       |   |
|---------------------------------------|---|
| Standards                             | CE<br>UL 508<br>NSF ANSI 61 Annex G       |
| Ambient air temperature for operation | -33...257 °F (-36...125 °C)               |
| Ambient air temperature for storage   | -33...257 °F (-36...125 °C)               |
| Protective treatment                  | None                                      |
| NEMA degree of protection             | NEMA 1 UL 50                              |
| IP degree of protection               | IP20 conforming to IEC 60529              |
| Product certifications                | UL listed file E12158<br>CSA file LR25490 |

## Ordering and shipping details

|                       |  |
|-----------------------|--|
| Category              | 21534 - 9013 FSG,FYG (INDIVIDUAL - CP7I) |
| Discount Schedule     | CP7I                                     |
| GTIN                  | 00785901559306                           |
| Nbr. of units in pkg. | 1  |
| Package weight(Lbs)   | 0.85 lb(US) (0.39 kg)                    |
| Returnability         | Yes                                      |
| Country of origin     | MX                                       |

## Packing Units

|                        |                            |
|------------------------|----------------------------|
| Unit Type of Package 1 | PCE                        |
| Package 1 Height       | 4.00 in (10.16 cm)         |
| Package 1 width        | 3.00 in (7.62 cm)          |
| Package 1 Length       | 4.00 in (10.16 cm)         |
| Package 2 Weight       | 42.95 lb(US) (19.482 kg)   |
| Package 3 Weight       | 475.00 lb(US) (215.456 kg) |

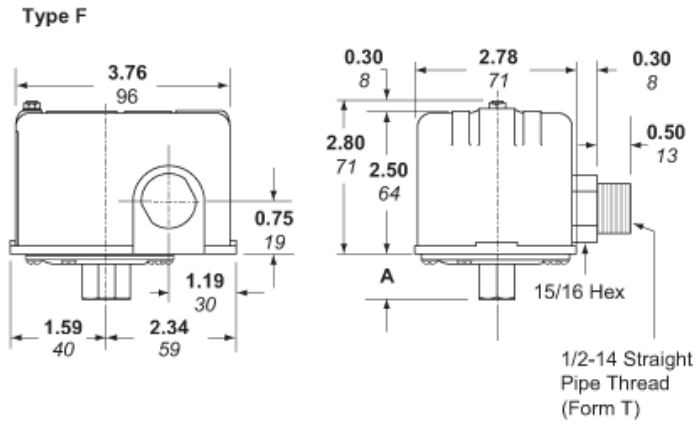
### Offer Sustainability

|                            |  |
|----------------------------|--|
| EU RoHS Directive          | Compliant<br><a href="#">EU RoHS Declaration</a> |
| Mercury free               | Yes  |
| RoHS exemption information | <a href="#">Yes</a>                              |
| Environmental Disclosure   | <a href="#">Product Environmental Profile</a>    |
| Circularity Profile        | <a href="#">End of Life Information</a>          |

### Contractual warranty

|          |           |
|----------|-----------|
| Warranty | 18 months |
|----------|-----------|

Approximate Dimensions



| Switch Type                                | A Dimension |    | in.<br>mm |
|--|-------------|----|-----------|
|  | in.         | mm |           |
| FSG1, FYG1                                 | 1-1/32      | 26 |           |
| FHG2, 12, 22, 32, 42, 52, FRG2, FSG2, FYG2 | 29/32       | 23 |           |
| FHG3, 13, 33, FRG3, FSG3, FYG3             | 1-9/32      | 33 |           |
| FHG9, 19, 29, 39, 49, 59, FSG9, FYG9       | 1-3/32      | 28 |           |