

Catalog #		Date		Prepared by	
Project		Type		Notes	



HALO OUTDOOR

FE Series Entry Light

The FE series LED Entry Wall Sconces provides years of maintenance free operation by not having to replace bulbs. It comes in three different varieties including Standard, Lumen Selectable & a Motion Activated version with an always on Ambient Glow ring. Lumen output ranges from 800 lumens for Basic version up to 1200 lumens for the Lumen Select version. Highly durable & corrosion resistant polycarbonate construction in textured Bronze and White finish.

This modern Wall Sconce light looks great on porches, decks, front entryways, garages and more. Great for residential or commercial applications. This fixture features a Dusk-to-Dawn photocell to help automate your outdoor lighting. It mounts easily to an existing junction box on the wall simply and easily. Designed for outdoor use and will add pleasant security light where you need it.

Typical Applications

Outdoor Area/Site • Residential • Retail

Product Certification



Product Features



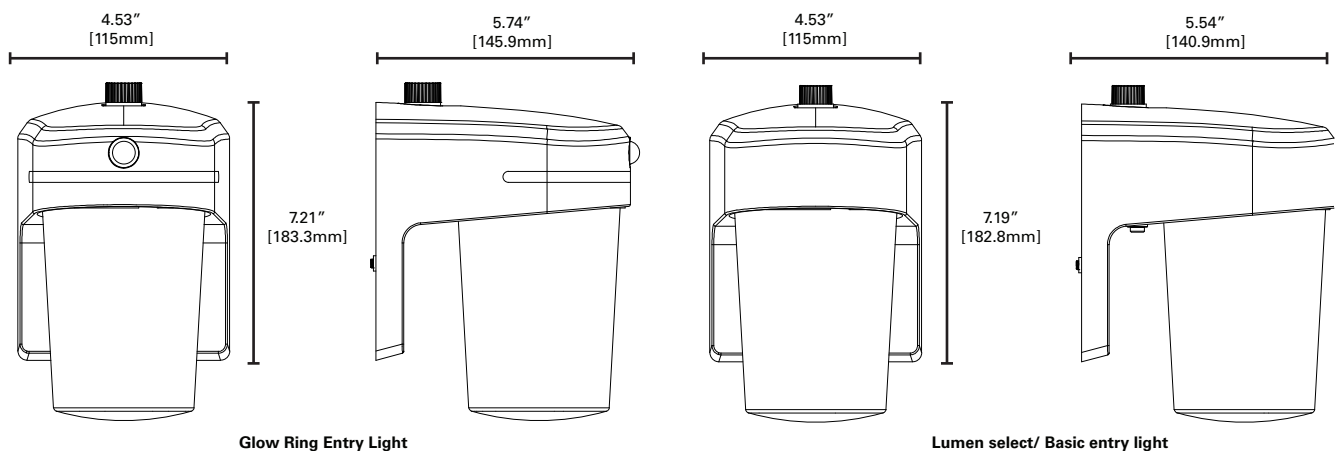
Interactive Menu

- Order Information [page 2](#)
- Product Warranty [page 2](#)
- Photometric Data [page 2](#)

Top Product Features

- Replaces up to 60W/75W Incandescent or 13W/26W CFL fixtures
- Durable weather resistant polycarbonate construction
- Built in photocontrol for Dusk-to-Dawn operation with optional cap provided to make fixture switch operated
- Motion sensor automatically turns lights on when motion is detected- FE10 Series
- UV rated frosted polycarbonate lens provides smooth diffuse light
- Perfect for security lighting for residential and light commercial application
- Available in textured bronze and white finish
- 5-year limited warranty

Dimensional and Mounting Details



Order Information

SAMPLE ORDER NUMBER: **FE08A40FDB / FE12S40FDW/ FE10A35GLMB**

Series	Lumens	Type	CCT	Configuration	Colors
FE=Entry Light	08=800 Lumens (Nominal)	A=Fixed Lumen	40=4000K	FD=Floor + Dusk-to-Dawn	B=Bronze W=White
	12=1200/900/700 Lumens (Nominal) *Selectable Lumen only	S=Selectable Lumen			
	10=1000 Lumens (Nominal) *Glow Ring only	A=Fixed Lumen	35=3500K *Glow Ring Only	GLM=Glow ring with Motion Sensor and Dusk-to-Dawn sensor	

*All combination do not exist- only for illustrative purposes. See below for a list of available products

Product Specifications

Construction

- Durable, UV resistant polycarbonate housing suitable for wet locations
- Suitable for wall or eave mounting
- Mounts to most standard recessed junction boxes
- Optional shorting cap provided in box for switch activated operation

Optics

- UV resistant frosted lens for smooth diffuse light distribution
- 4000K(FE08, FE12) & 3500K(FE10A) CCT's available ideal for security applications

Electrical

- Electrical operating voltage 120VAC 60Hz
- Built to last with maintenance-free LEDs with L70 lifetime of 50,000 hours (FE12S and FE10A Series) and 25000 hours (FE08 Series)

Motion Sensor

- 120° degree PIR sensor with a detection range up to 15ft distance(FE10A)
- Fixture operating temperature of -30°C to 40°C
- Integral photocell allows for night time ON / daytime OFF operation
- External supply wiring 75°C minimum
- In motion mode, fixture will remain ON for 3 minutes once the motion ceases to exist (FE10A Series)

Compliance

- UL certified for US and Canada for wet locations
- EMI/RFI emissions per FCC 47CFR Part 15B
- Contains no mercury or lead and RoHS compliant
- Photometric testing in accordance with IES LM-79-08
- Lumen maintenance projections in accordance with IES LM-80-08 and TM-21-11

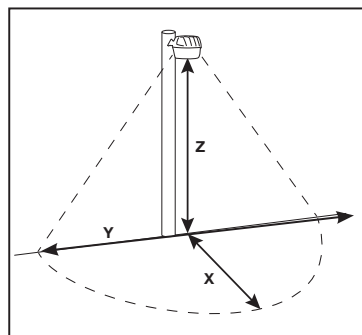
Finish

- Textured Bronze and White Finish

Warranty

- Five year limited warranty
- Consult website for details cooperlighting.com/legal

Suggested Mounting Height



X = Forward Throw
Y = Wall Spread
Z = Mounting Heights

Notes:
Forward throw X = 1/2 Y
for wall-mount applications only
See IES files for detailed photometry

Minimum Footcandles (FC)		0.50 FC					
Mounting Height (Z)		8'		10'		12'	
Catalog Number	Lumens	X	Y	X	Y	X	Y
FE08A40FDB	789	8.8	17.6	8	16	--	--
FE08A40FDW	976	9.6	19.2	9.5	19	8.4	14.4
FE12S40FDB	1272	10.4	20.8	11	22	9.6	19.2
FE12S40FDW	1484	12	24	12	24	12	23
FE10A35GLMB	995	9.6	19.2	9	18	6	12
FE10A35GLMW	1161	10	20	10	20	9	18

Photometric Data

Series	Voltage (V)	Power (W)	Delivered Lumens (lm)	Efficacy (LPW)	CCT	CRI	Controls
FE08A40FDB	120V	7.6	788	105	4000K	83	INTEGRATED PHOTOCELL
FE08A40FDW	120V	7.9	977	124	4000K	83	INTEGRATED PHOTOCELL
FE12S40FDB	120V	11.4	1271	112	4000K	82	INTEGRATED PHOTOCELL
FE12S40FDW	120V	11.5	1485	129	4000K	82	INTEGRATED PHOTOCELL
FE10A35GLMB	120V	13.6	994	73	3500K	82	MOTION SENSOR + INTEGRATED PHOTOCELL
FE10A35GLMW	120V	13.6	1161	86	3500K	82	MOTION SENSOR + INTEGRATED PHOTOCELL