

Project Name:	Prepared By:
Project Number:	Date:
Catalog Number:	Type:

Product Dimensions

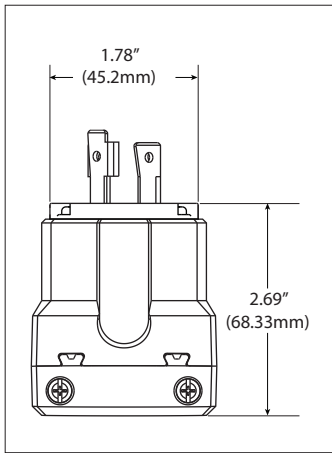


Figure 1. AHCL530P

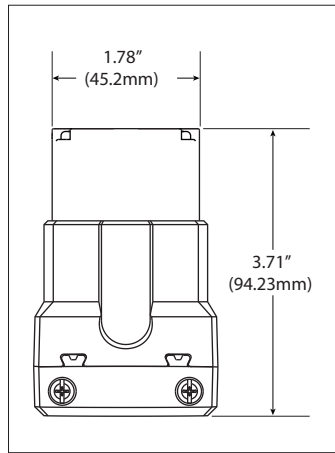


Figure 2. AHCL530C

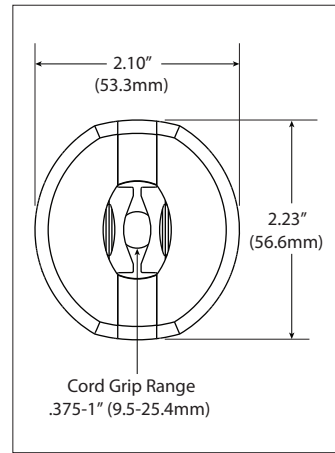


Figure 3. Bottom View

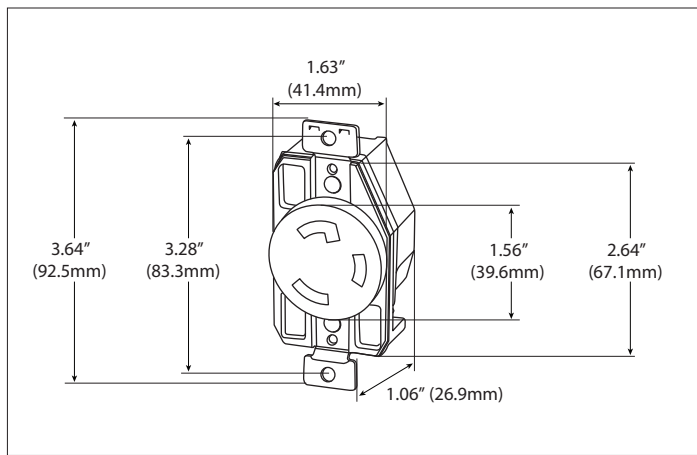


Figure 4. AHCL530R

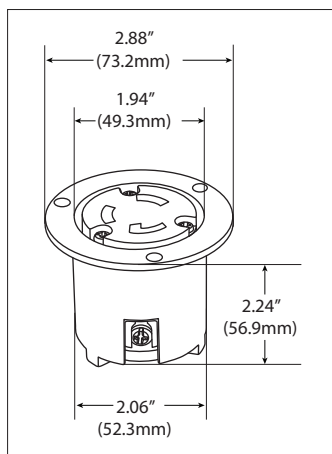


Figure 5. AHCL530FO

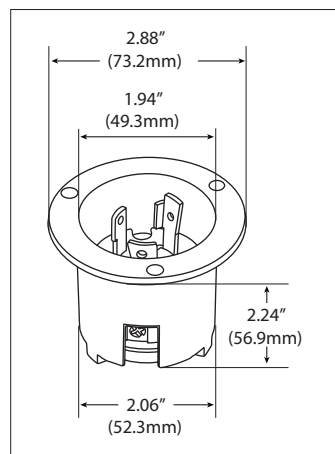


Figure 6. AHCL530FI

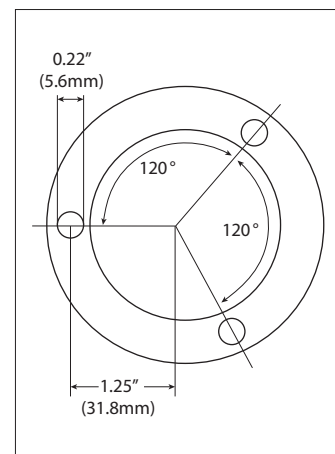


Figure 7. Top View