

Project Name:	Prepared By:
Project Number:	Date:
Catalog Number:	Type:

Product Dimensions

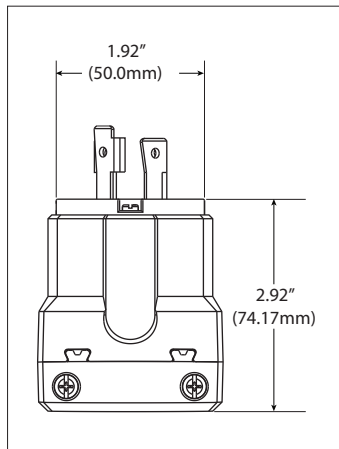


Figure 1. AHCL1420P

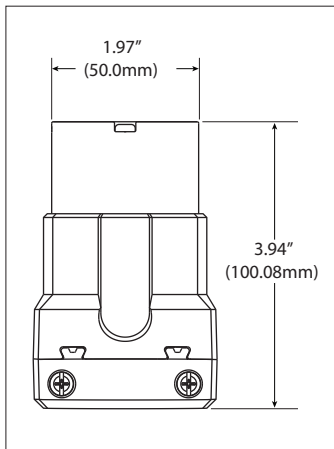


Figure 2. AHCL1420C

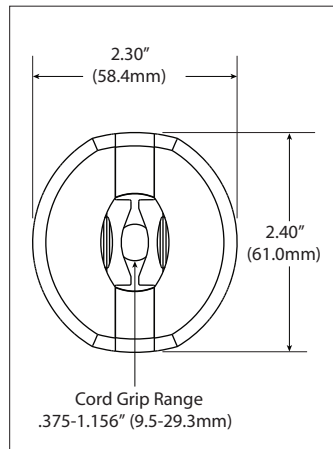


Figure 3. Bottom View

Product Dimensions

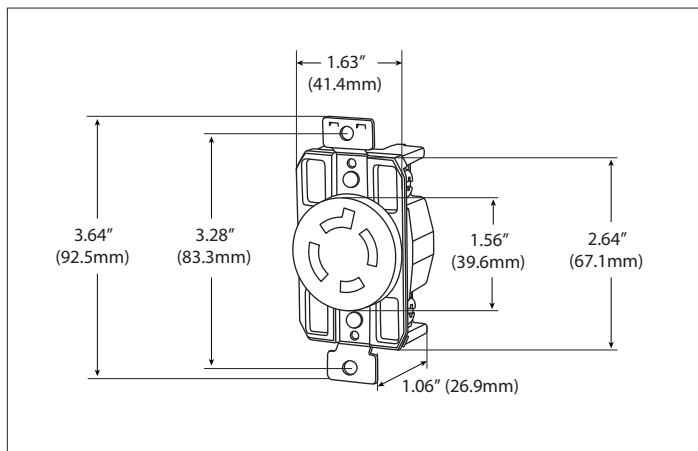


Figure 4. AHCL1420R

Product Dimensions

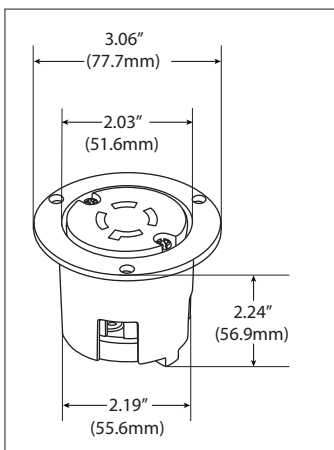


Figure 5. AHCL1420FO

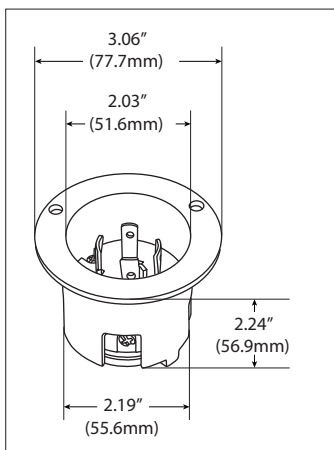


Figure 6. AHCL1420FI

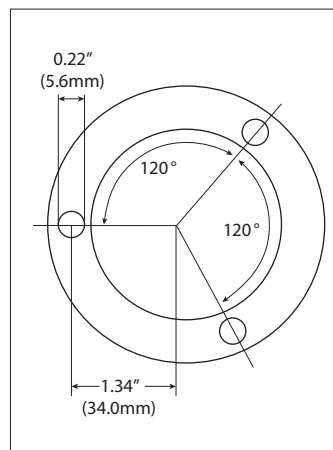


Figure 7. Top View